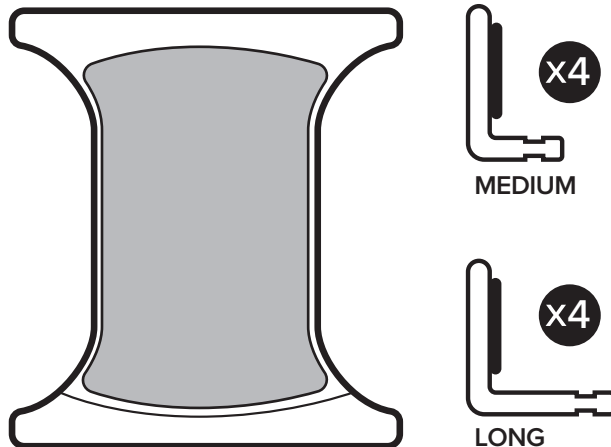
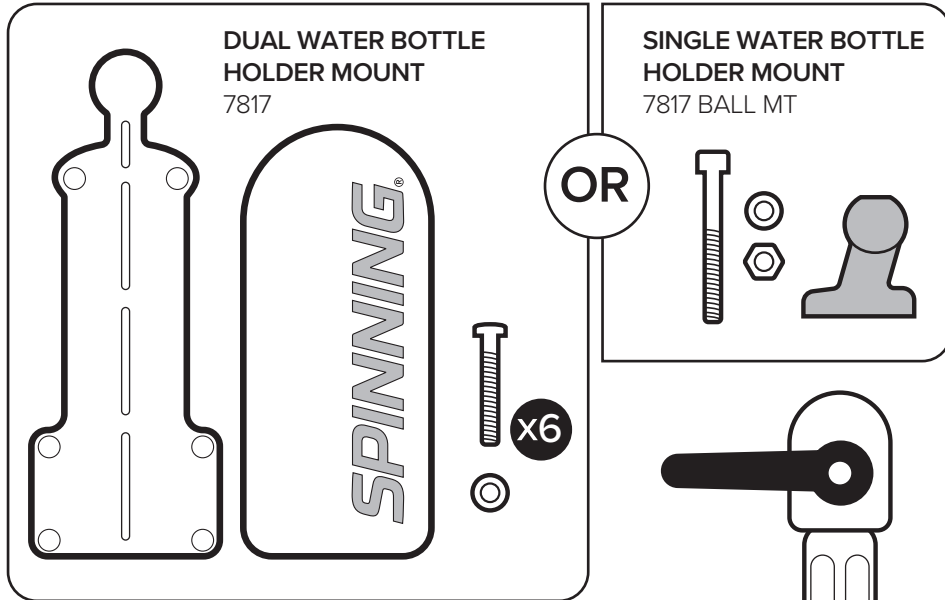




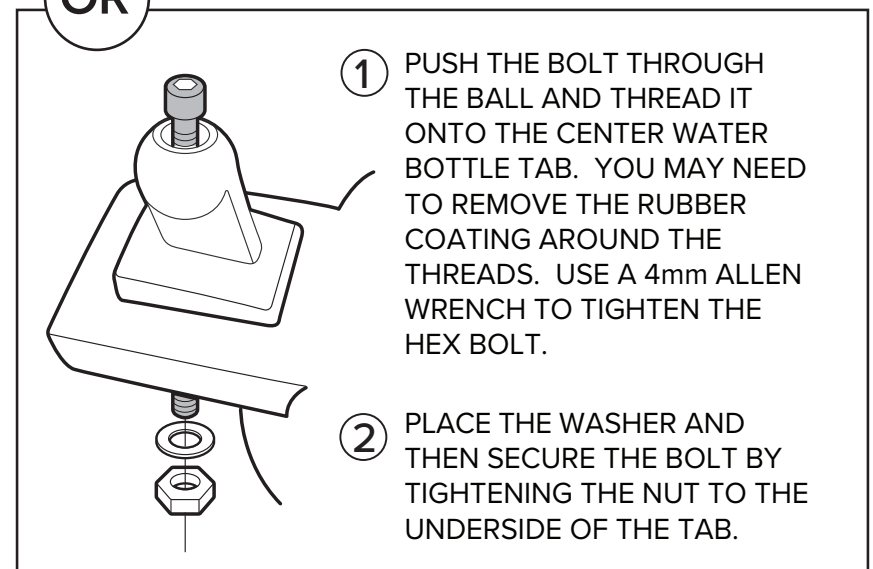
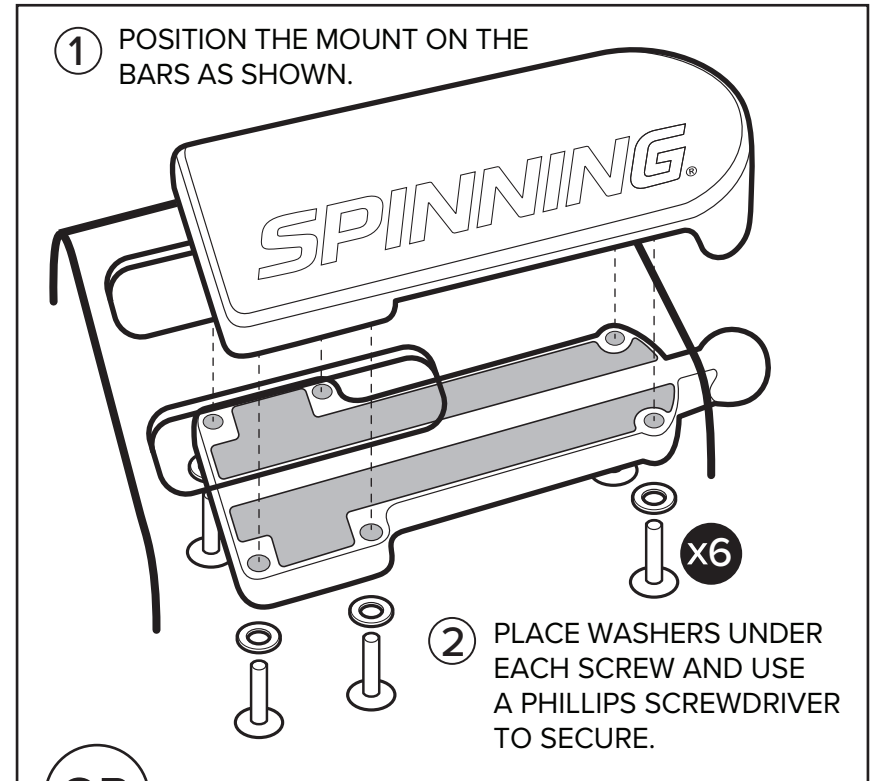
# DELUXE TABLET HOLDER

7817 and 7817 BALL MT

## WHAT'S INSIDE

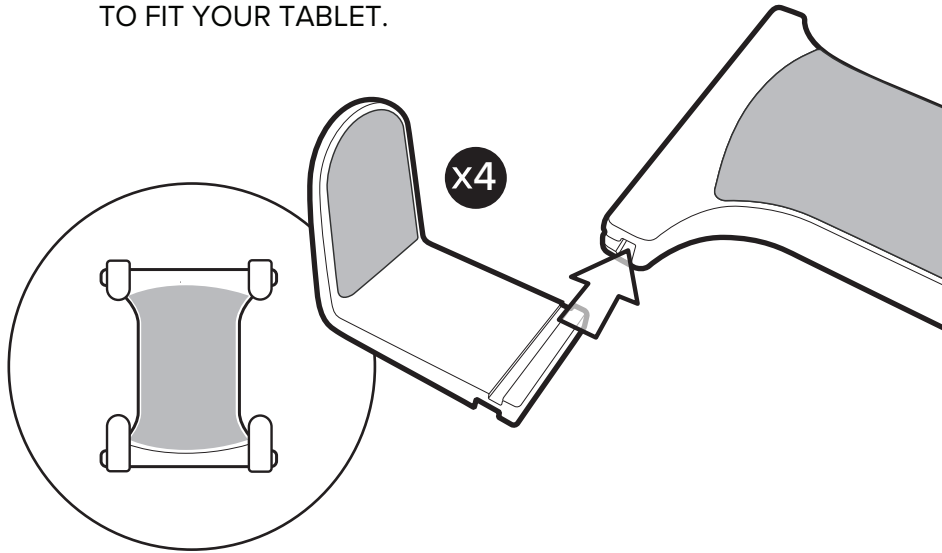


## 1 ATTACH THE MOUNT TO THE BARS



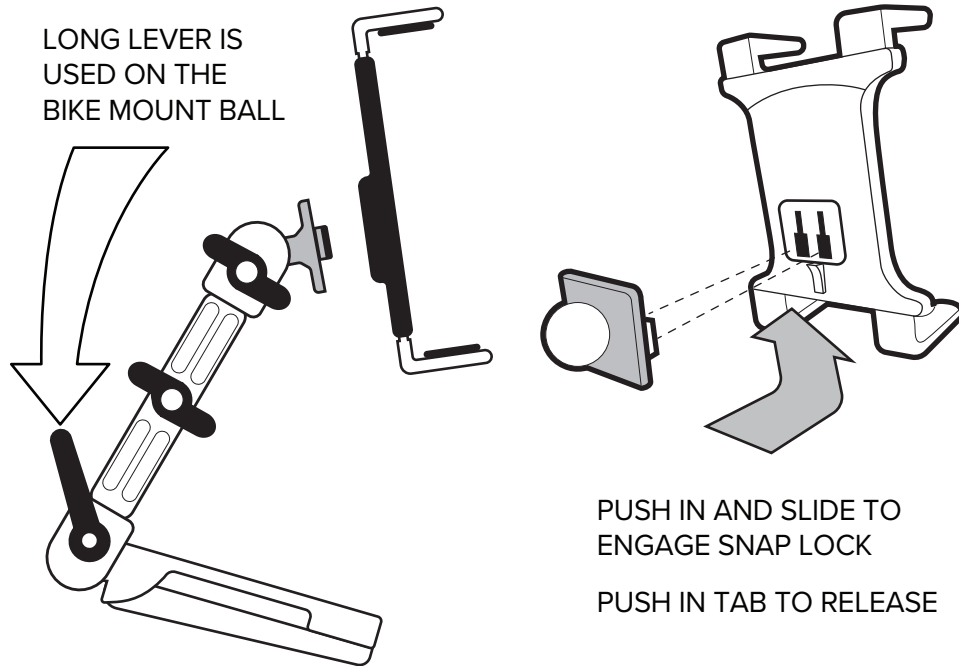
## ② ATTACH THE GRIP TABS

SLIDE THE TABS IN FROM THE SIDE. USE THE BEST COMBINATION OF MEDIUM AND LONG TABS TO FIT YOUR TABLET.



## ③ ASSEMBLE THE ARM AND TABLET HOLDER

LONG LEVER IS USED ON THE BIKE MOUNT BALL



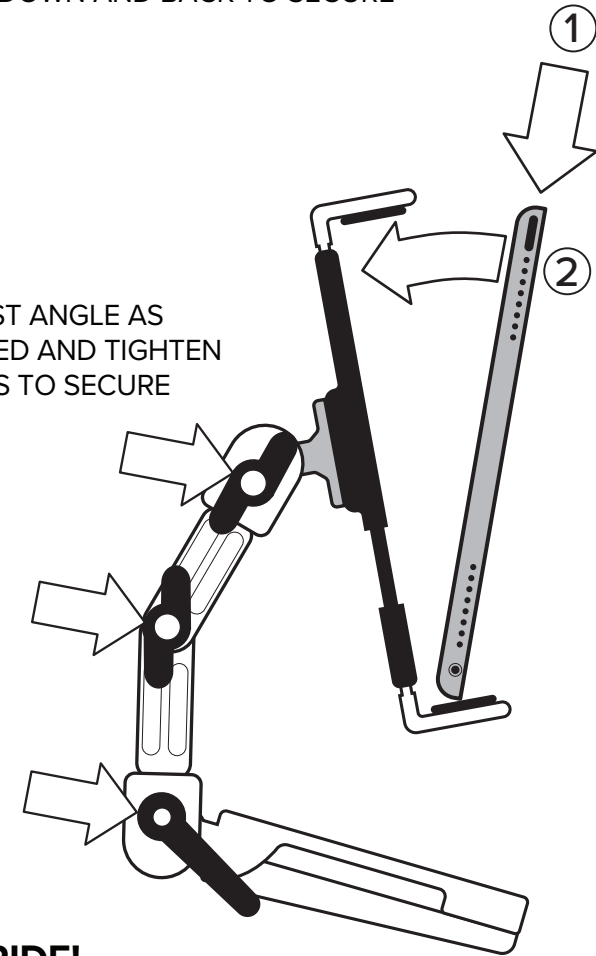
PUSH IN AND SLIDE TO ENGAGE SNAP LOCK

PUSH IN TAB TO RELEASE

## ④ ATTACH YOUR TABLET AND ADJUST ANGLE

PUSH DOWN AND BACK TO SECURE

③ ADJUST ANGLE AS DESIRED AND TIGHTEN KNOBS TO SECURE



## ⑤ GO RIDE!

### Safety Precautions

Install the tablet mount securely. Do not adjust the tablet or tablet mount while pedaling. Remove the tablet before moving your indoor cycle and do not place direct force on the tablet mount. Mad Dogg Athletics, Inc. is not responsible for any injuries or damages caused to any person or item during the installation or use of this tablet mount.



### SPINNING® HEADQUARTERS

2111 Narcissus Court • Venice, CA 90291 • USA  
TEL 800 847 SPIN (7746) or 310 823 7008 FAX 310 823 7408

### SPINNING® EUROPE

Scheldeweg 3 • 3144 ES Maassluis • The Netherlands  
TEL +31 (0) 10 590 4508 • FAX +31 (0) 10 590 0054